

Instant Quote and Order Online at usframefactory.com

Product Submittal Sheet **362S162-43**

Product category: S162 (1-5/8" Flange Structural Stud)

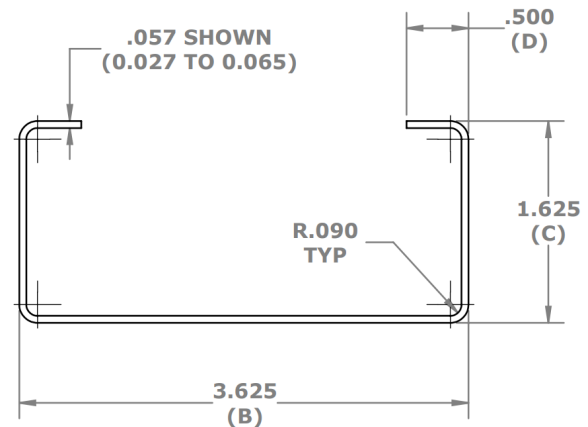
Product name: 362S162-43 (33ksi, G60) 43mils (18ga)

Coating weight: G60 (CP60 per AISI S240)

Color coding: Yellow

Used in framing applications:

- Load-bearing walls
- Curtain walls
- Tall interior walls
- Floor & ceiling joists
- Trusses



Product Meets and Exceeds The Following Standards set by The Steel Network (TSN) and Steel Framing Industry Association (SFIA)

- Code Approvals & Performance Standards

AISI S100-16 - North American Specification for the Design of CFS Structural Members

- Effective properties incorporate the strength increase from the cold work of forming
- Gross properties are based on the cross section away from the punchouts

AISI S240-15 - North American Standard for Cold-Formed Steel Structural Framing

- Section A3 - Material - Chemical & mechanical requirements (Referencing ASTM A1003/A1003M)
- Section A4 - Corrosion Protection (Referencing ASTM A653/A653M) • Section A5 - Products - Thickness, shapes, tolerances, identification
- Section C - Installation - (Referencing ASTM C1007)

AISI S202-15 - Code of Standard Practice for Cold-Formed Steel Structural Framing

- Section F3 - Delivery, Handling and Storage of Materials

US Frame Factory's structural framing comply with:

- Intertek CCRR-0206
- SFIA Code
- ICC-ES ESR-1166P
- ICC-ES ESR-1166P - LABC and LARC Supplement

Additional Information Requirements

For structural service punchout, dimple, other feature submittal information, MTRs and testing reports or section properties please contact our sales or engineering team.

US FRAME FACTORY

by BOXY

Instant Quote and Order Online at usframefactory.com